

$V_{\text{DRM}}$	=	4500 V
$I_{\text{TGQM}}$	=	4000 A
$I_{\text{TSM}}$	=	$35 \times 10^3$ A
$V_{\text{(T0)}}$	=	1.15 V
$r_{\text{T}}$	=	0.21 mW
$V_{\text{DC-link}}$	=	2800 V

# Asymmetric Integrated Gate-Commutated Thyristor

## 5SHY 35L4512

Doc. No. 5SYA1233-02 June 07

- Lowest on state voltage (2V @ 4000A)
- Optimized for low frequency (<100 Hz) and wide temperature range
- High reliability
- High electromagnetic immunity
- Simple control interface with status feedback
- AC or DC supply voltage
- Contact factory for series connection



### Blocking

Maximum rated values <sup>1)</sup>

Parameter	Symbol	Conditions	min	typ	max	Unit
Rep. peak off-state voltage	$V_{\text{DRM}}$	Gate Unit energized			4500	V
Permanent DC voltage for 100 FIT failure rate of GCT	$V_{\text{DC-link}}$	Ambient cosmic radiation at sea level in open air. Gate Unit energized			2800	V
Reverse voltage	$V_{\text{RRM}}$	IGCT in off-state			17	V
		IGCT in on-state			10	V

Characteristic values

Parameter	Symbol	Conditions	min	typ	max	Unit
Rep. peak off-state current	$I_{\text{DRM}}$	$V_{\text{D}} = V_{\text{DRM}}$ , Gate Unit energized			50	mA

### Mechanical data (see Fig. 11, 12)

Maximum rated values <sup>1)</sup>

Parameter	Symbol	Conditions	min	typ	max	Unit
Mounting force	$F_{\text{m}}$		36	40	44	kN

Characteristic values

Parameter	Symbol	Conditions	min	typ	max	Unit
Pole-piece diameter	$D_{\text{p}}$	$\pm 0.1$ mm		85		mm
Housing thickness	H		25.3		25.8	mm
Weight	m				2.9	kg
Surface creepage distance	$D_{\text{s}}$	Anode to Gate	33			mm
Air strike distance	$D_{\text{a}}$	Anode to Gate	10			mm
Length	l	$\pm 1.0$ mm		439		mm
Height	h	$\pm 1.0$ mm		40		mm
Width IGCT	w	$\pm 1.0$ mm		173		mm

1) Maximum rated values indicate limits beyond which damage to the device may occur

ABB Switzerland Ltd, Semiconductors reserves the right to change specifications without notice.



## GCT Data

### On-state (see Fig. 3, 4, 5, 6, 14, 15)

Maximum rated values <sup>1)</sup>

Parameter	Symbol	Conditions	min	typ	max	Unit
Max. average on-state current	$I_{T(AV)M}$	Half sine wave, $T_C = 85\text{ °C}$ , Double side cooled			2100	A
Max. RMS on-state current	$I_{T(RMS)}$				3300	A
Max. peak non-repetitive surge on-state current	$I_{TSM}$	$t_p = 10\text{ ms}$ , $T_j = 125\text{ °C}$ , sine wave after surge: $V_D = V_R = 0\text{ V}$			$35 \times 10^3$	A
Limiting load integral	$I^2t$				$6.1 \times 10^6$	$A^2s$
Max. peak non-repetitive surge on-state current	$I_{TSM}$	$t_p = 30\text{ ms}$ , $T_j = 125\text{ °C}$ , sine wave after surge: $V_D = V_R = 0\text{ V}$			$23 \times 10^3$	A
Limiting load integral	$I^2t$				$7.9 \times 10^6$	$A^2s$
Stray inductance between GCT and antiparallel diode	$L_D$	Only relevant for applications with antiparallel diode to the IGCT			300	nH
Critical rate of rise of on-state current	$di_T/dt_{cr}$	For higher $di_T/dt$ and current lower than 100 A an external retrigger puls is required.			200	A/ $\mu$ s

#### Characteristic values

Parameter	Symbol	Conditions	min	typ	max	Unit
On-state voltage	$V_T$	$I_T = 4000\text{ A}$ , $T_j = 125\text{ °C}$		1.8	2	V
Threshold voltage	$V_{(T0)}$	$T_j = 125\text{ °C}$			1.15	V
Slope resistance	$r_T$	$I_T = 1000...4000\text{ A}$			0.21	m $\Omega$

### Turn-on switching (see Fig. 14, 15)

Maximum rated values <sup>1)</sup>

Parameter	Symbol	Conditions	min	typ	max	Unit
Critical rate of rise of on-state current	$di_T/dt_{cr}$	$f = 0.500\text{ Hz}$ , $T_j = 125\text{ °C}$ , $V_D = 2800\text{ V}$ , $I_{TM} \leq 4000\text{ A}$			1000	A/ $\mu$ s

#### Characteristic values

Parameter	Symbol	Conditions	min	typ	max	Unit
Turn-on delay time	$t_{don}$	$V_D = 2800\text{ V}$ , $T_j = 125\text{ °C}$ $I_T = 4000\text{ A}$ , $di/dt = V_D / L_i$ $L_i = 5\text{ }\mu\text{H}$ $C_{CL} = 10\text{ }\mu\text{F}$ , $L_{CL} = 0.3\text{ }\mu\text{H}$			3.5	$\mu$ s
Turn-on delay time status feedback	$t_{don SF}$				7	$\mu$ s
Rise time	$t_r$				1	$\mu$ s
Turn-on energy per pulse	$E_{on}$				1.5	J

### Turn-off switching (see Fig. 7, 8, 10, 14, 15)

Maximum rated values <sup>1)</sup>

Parameter	Symbol	Conditions	min	typ	max	Unit
Max. controllable turn-off current	$I_{TGQM}$	$V_{DM} \leq V_{DRM}$ , $T_j = 125\text{ °C}$ , $V_D = 2800\text{ V}$ , $R_S = 0.65\text{ }\Omega$ , $C_{CL} = 10\text{ }\mu\text{F}$ , $L_{CL} \leq 0.3\text{ }\mu\text{H}$			4000	A

#### Characteristic values

Parameter	Symbol	Conditions	min	typ	max	Unit
Turn-off delay time	$t_{doff}$	$V_D = 2800\text{ V}$ , $T_j = 125\text{ °C}$ $V_{DM} \leq V_{DRM}$ , $R_S = 0.65\text{ }\Omega$ $I_{TGQ} = 4000\text{ A}$ , $L_i = 5\text{ }\mu\text{H}$ $C_{CL} = 10\text{ }\mu\text{F}$ , $L_{CL} = 0.3\text{ }\mu\text{H}$			11	$\mu$ s
Turn-off delay time status feedback	$t_{doff SF}$				7	$\mu$ s
Turn-off energy per pulse	$E_{off}$				26	37

## Gate Unit Data

### Power supply (see Fig. 2, 9, 10, 12, 13)

Maximum rated values <sup>1)</sup>

Parameter	Symbol	Conditions	min	typ	max	Unit
Gate Unit voltage (Connector X1)	$V_{GIN,RMS}$	AC square wave amplitude (15 kHz - 100kHz) or DC voltage. No galvanic isolation to power circuit.	28		40	V
Min. current needed to power up the Gate Unit	$I_{GIN Min}$	Rectified average current see application note 5SYA 2031	2.1			A
Gate Unit power consumption	$P_{GIN Max}$				100	W

#### Characteristic values

Parameter	Symbol	Conditions	min	typ	max	Unit
Internal current limitation	$I_{GIN Max}$	Rectified average current limited by the Gate Unit			8	A

### Optical control input/output <sup>2)</sup>

Maximum rated values <sup>1)</sup>

Parameter	Symbol	Conditions	min	typ	max	Unit
Min. on-time	$t_{on}$		40			$\mu$ s
Min. off-time	$t_{off}$		40			$\mu$ s

#### Characteristic values

Parameter	Symbol	Conditions	min	typ	max	Unit
Optical input power	$P_{on CS}$	CS: Command signal SF: Status feedback Valid for 1mm plastic optical fiber (POF)	-15		-1	dBm
Optical noise power	$P_{off CS}$				-45	dBm
Optical output power	$P_{on SF}$		-19		-1	dBm
Optical noise power	$P_{off SF}$				-50.0	dBm
Pulse width threshold	$t_{GLITCH}$	Max. pulse width without response			400	ns
External retrigger pulse width	$t_{retrig}$		600		1100	ns

2) Do not disconnect or connect fiber optic cables while light is on.

### Connectors <sup>2)</sup> (see Fig. 11, 12, 13)

Parameter	Symbol	Description
Gate Unit power connector	X1	AMP: MTA-156, Part Number 641210-5 <sup>3)</sup>
LWL receiver for command signal	CS	Agilent, Type HFBR-2528 <sup>4)</sup>
LWL transmitter for status feedback	SF	Agilent, Type HFBR-1528 <sup>4)</sup>

2) Do not disconnect or connect fiber optic cables while light is on.

3) AMP, [www.amp.com](http://www.amp.com)

4) Agilent Technologies, [www.semiconductor.agilent.com](http://www.semiconductor.agilent.com)

### Visual feedback (see Fig. 13)

Parameter	Symbol	Description	Color
Gate OFF	LED1	"Light" when GCT is off	(green)
Gate ON	LED2	"Light" when gate-current is flowing	(yellow)
Fault	LED3	"Light" when not ready / Failure	(red)
Power supply voltage OK	LED4	"Light" when power supply is within specified range	(green)

# Thermal

Maximum rated values <sup>1)</sup>

Parameter	Symbol	Conditions	min	typ	max	Unit
Junction operating temperature	$T_{vj}$		-40		125	°C
Storage temperature range	$T_{stg}$		-40		60	°C
Ambient operational temperature	$T_a$		-40		50	°C

Characteristic values

Parameter	Symbol	Conditions	min	typ	max	Unit
Thermal resistance junction-to-case of GCT	$R_{th(j-c)}$	Double side cooled			8.5	K/kW
Thermal resistance case-to-heatsink of GCT	$R_{th(c-h)}$	Double side cooled			3	K/kW

Analytical function for transient thermal impedance:

$$Z_{th(j-c)}(t) = \sum_{i=1}^n R_i(1 - e^{-t/\tau_i})$$

i	1	2	3	4
$R_i$ (K/kW)	5.562	1.527	0.868	0.545
$\tau_i$ (s)	0.5119	0.0896	0.0091	0.0024

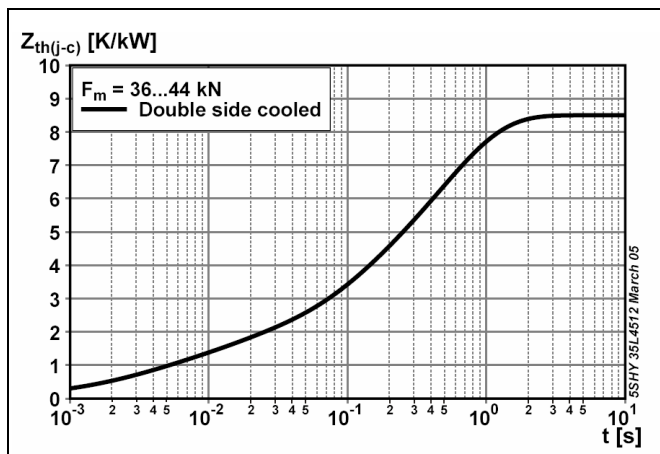


Fig. 1 Transient thermal impedance (junction-to-case) vs. time (max. values)

## Max. Turn-off current for Lifetime operation

- calculated lifetime of on-board capacitors 20 years
- with slightly forced air cooling (air velocity > 0.5 m/s)
- strong air cooling allows for increased ambient temperature

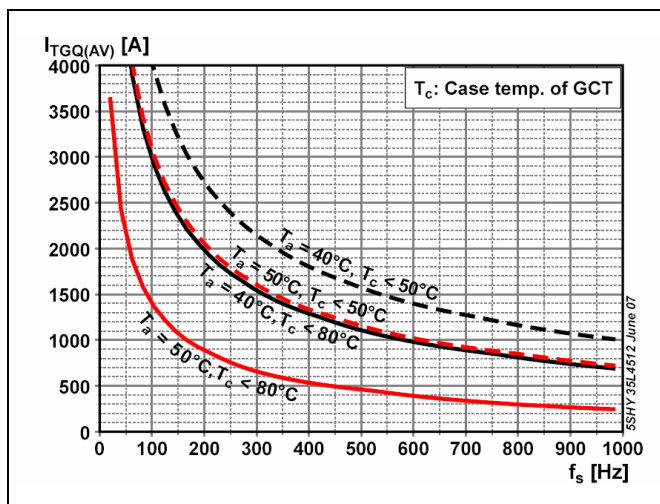


Fig. 2 Max. turn-off current vs. frequency for lifetime operation

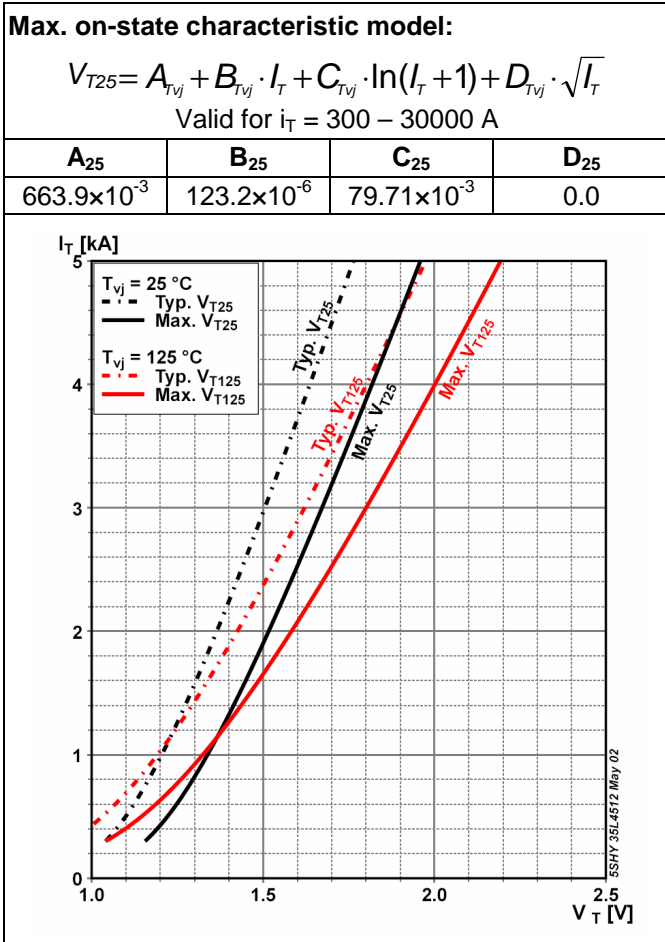


Fig. 3 GCT on-state voltage characteristics

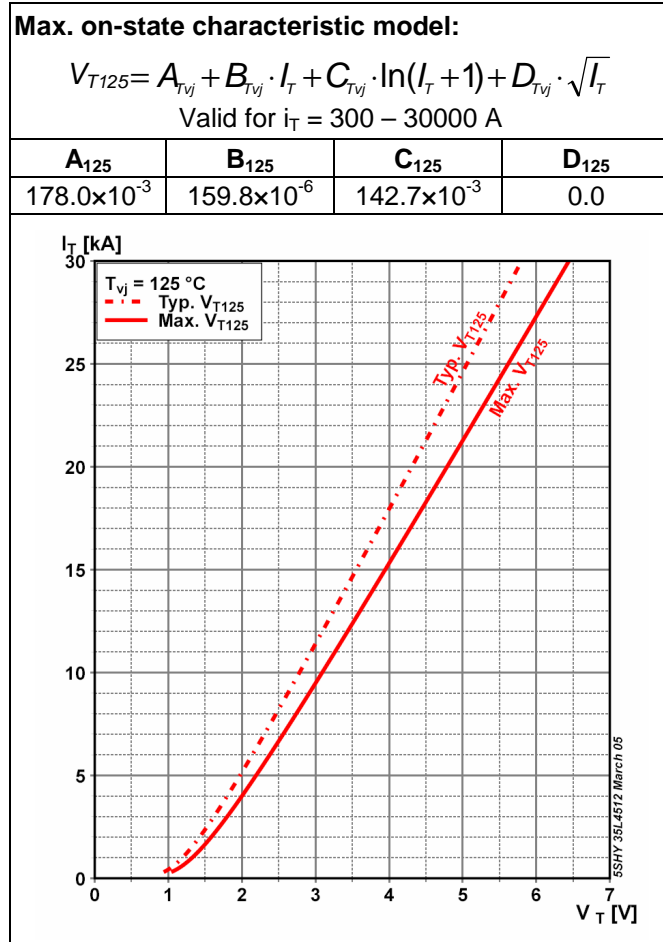


Fig. 4 GCT on-state voltage characteristics

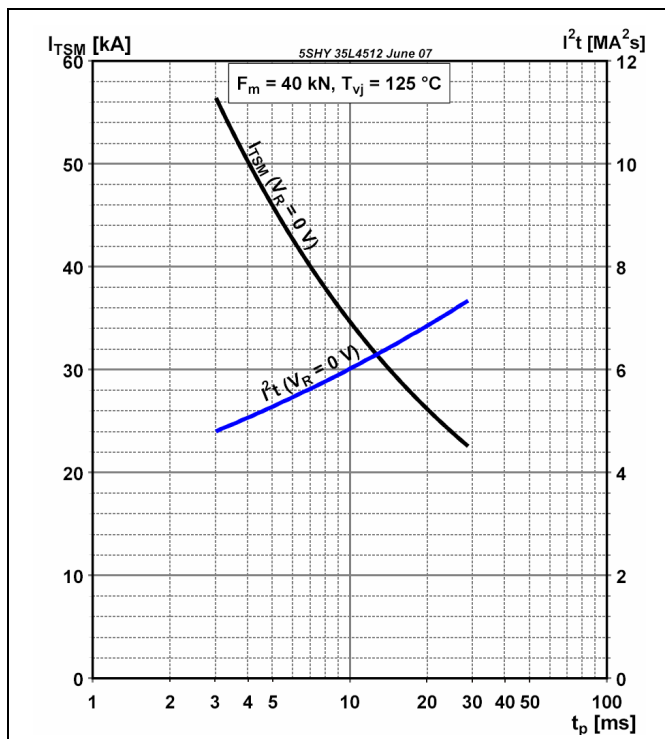


Fig. 5 Surge on-state current vs. pulse length, half-sine wave

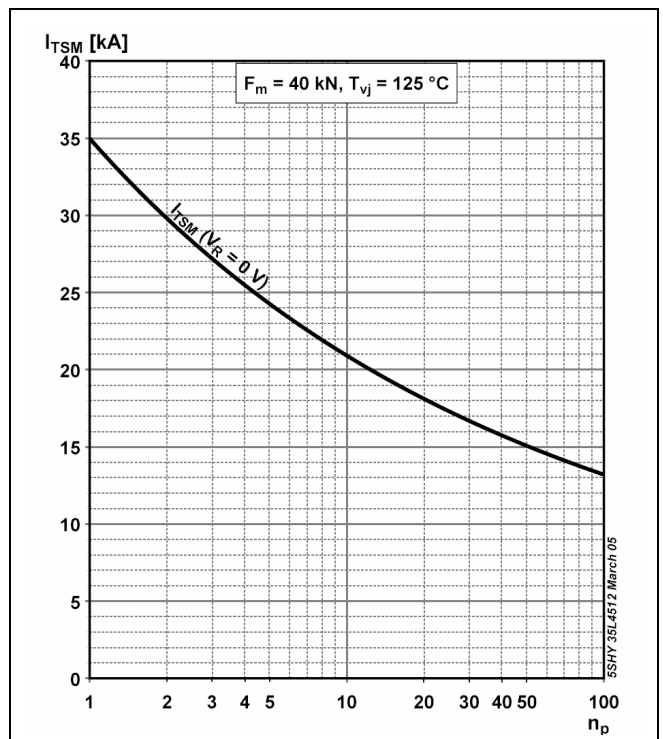


Fig. 6 Surge on-state current vs. number of pulses, half-sine wave, 10 ms, 50Hz

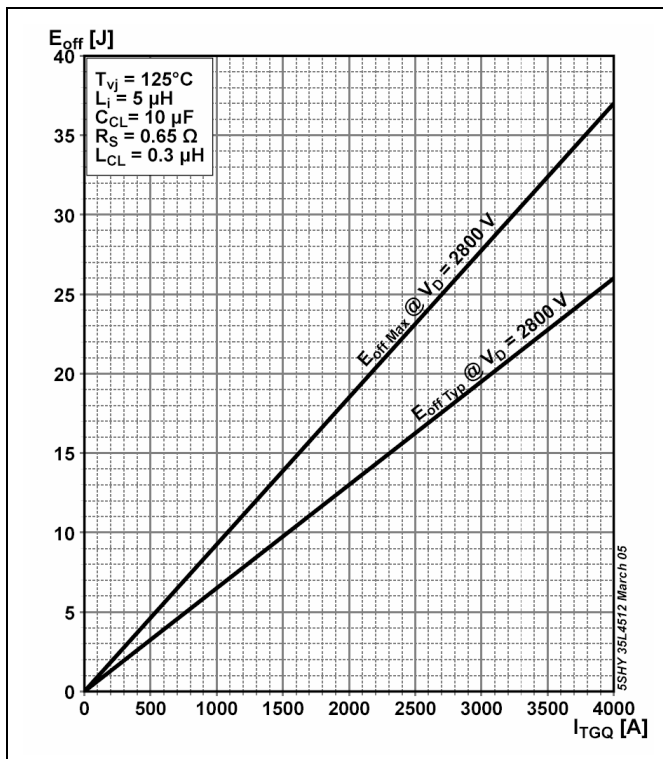


Fig. 7 GCT turn-off energy per pulse vs. turn-off current

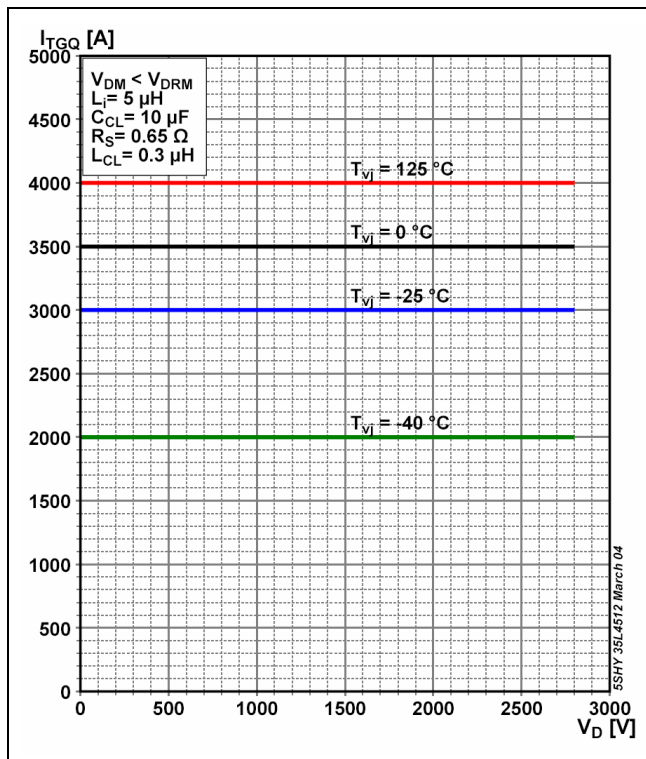


Fig. 8 Safe Operating Area

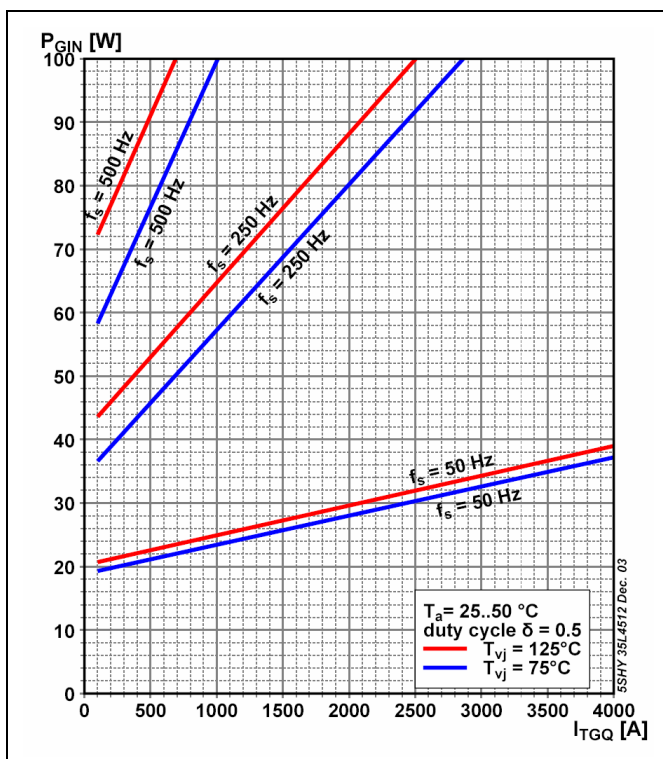


Fig. 9 Max. Gate Unit input power in chopper mode

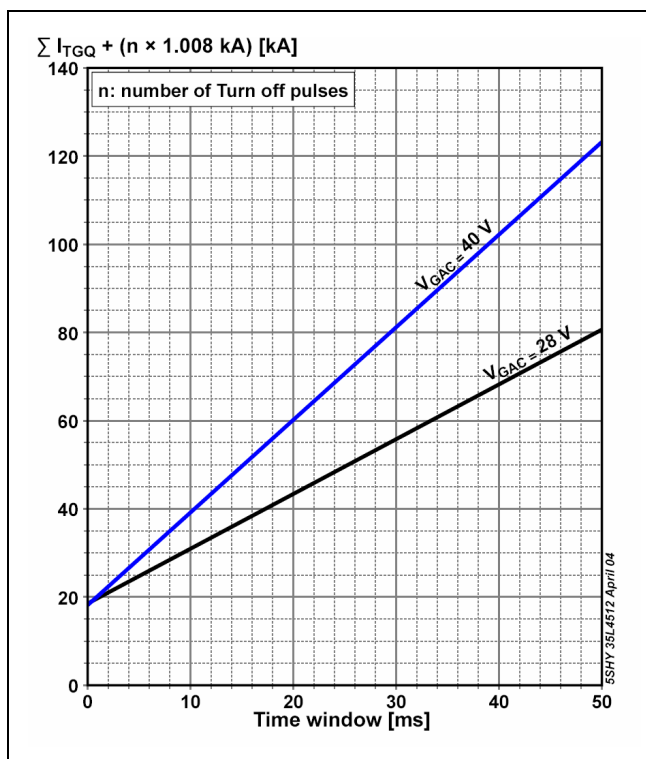


Fig. 10 Burst capability of Gate Unit

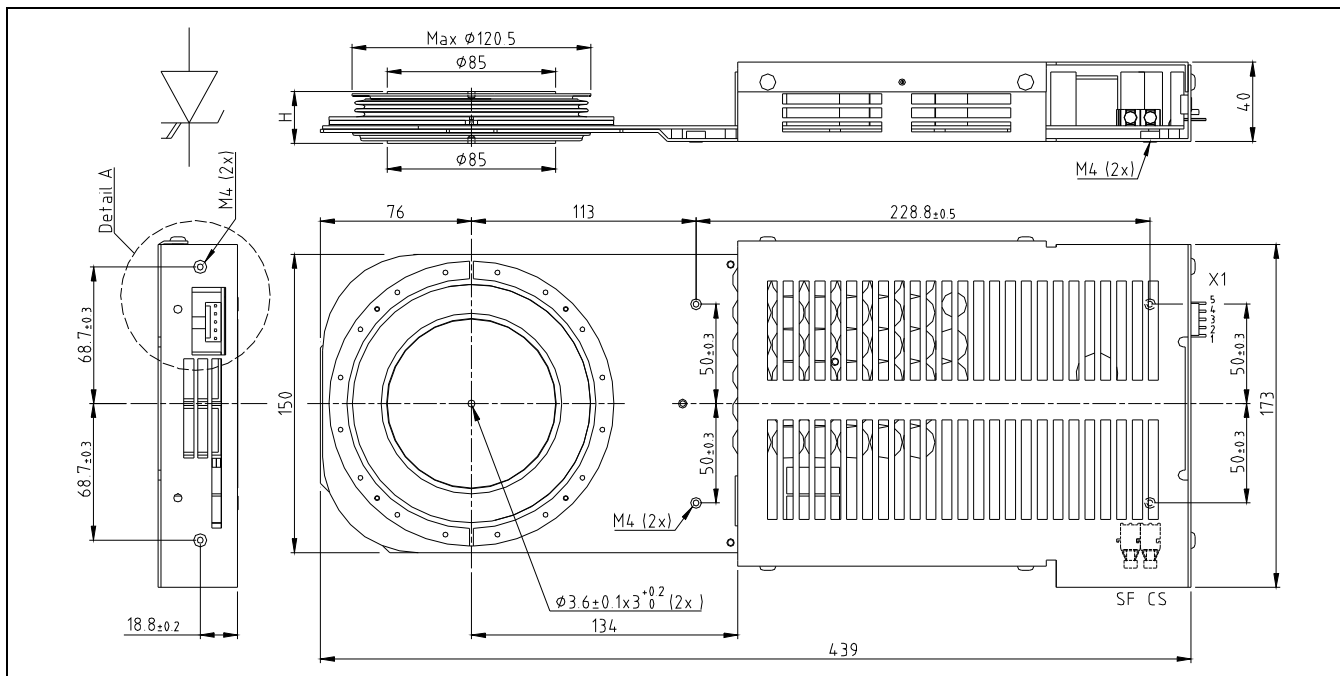


Fig. 11 Outline drawing; all dimensions are in millimeters and represent nominal values unless stated otherwise

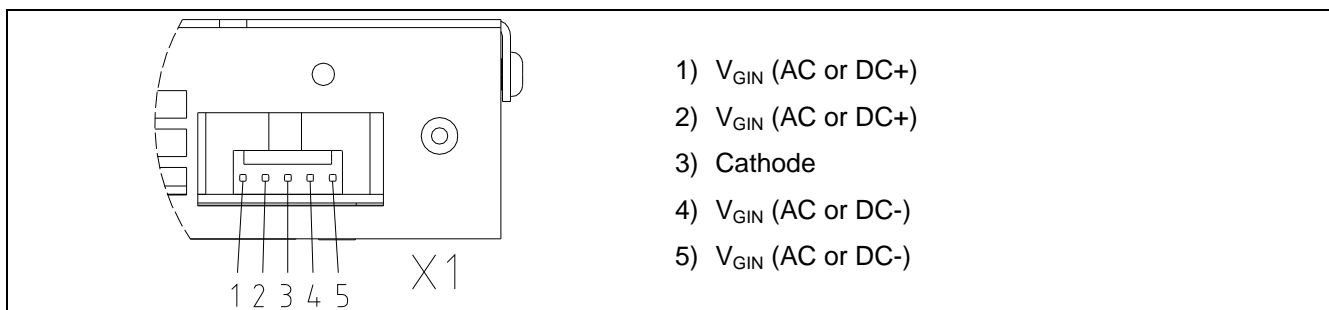


Fig. 12 Detail A: pin out of supply connector X1

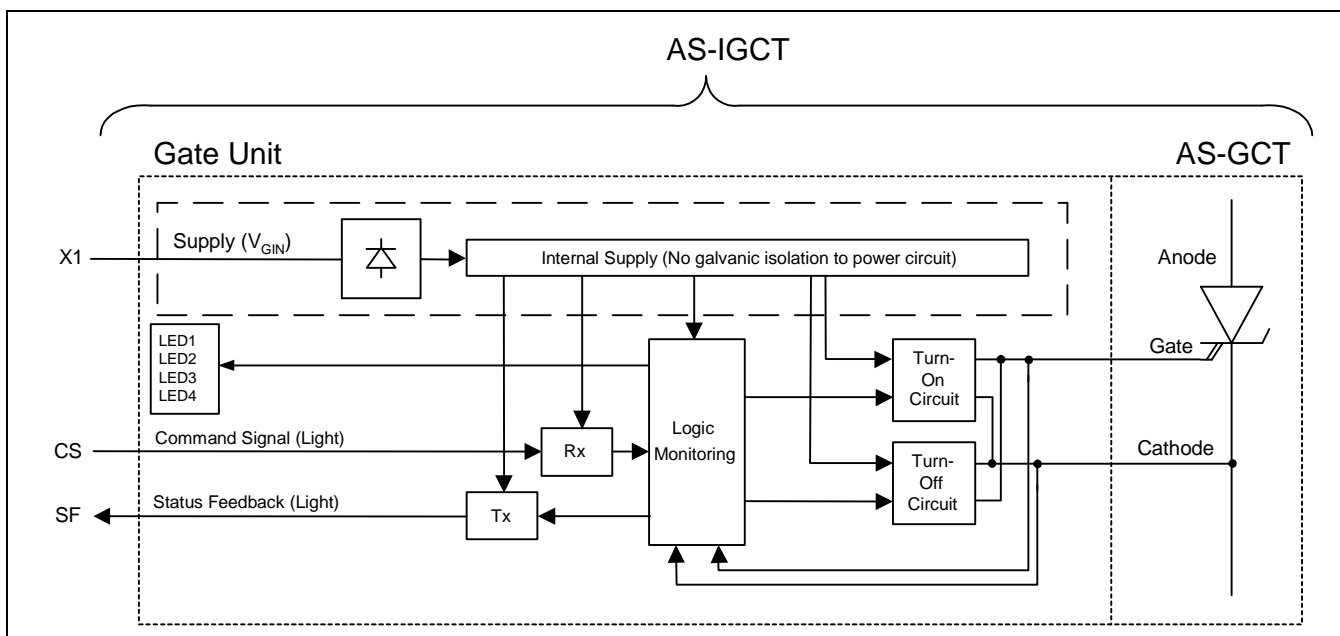


Fig. 13 Block diagram

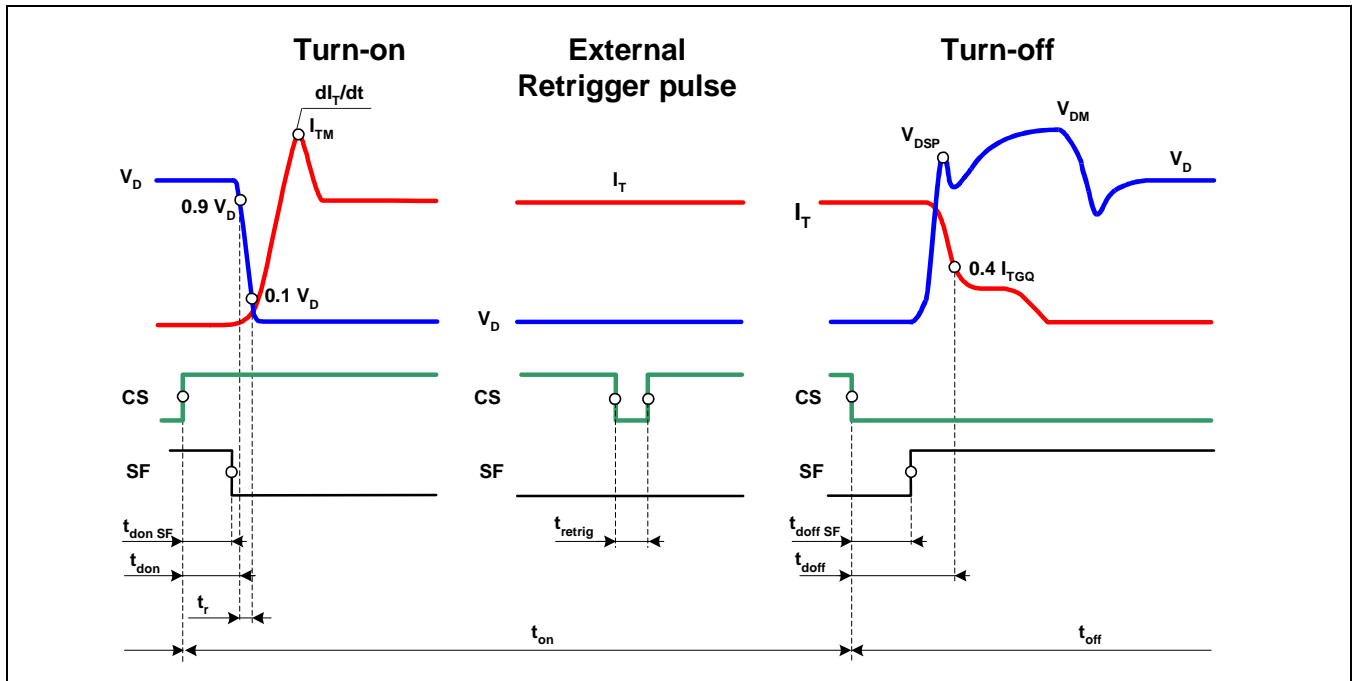


Fig. 14 General current and voltage waveforms with IGCT - specific symbols

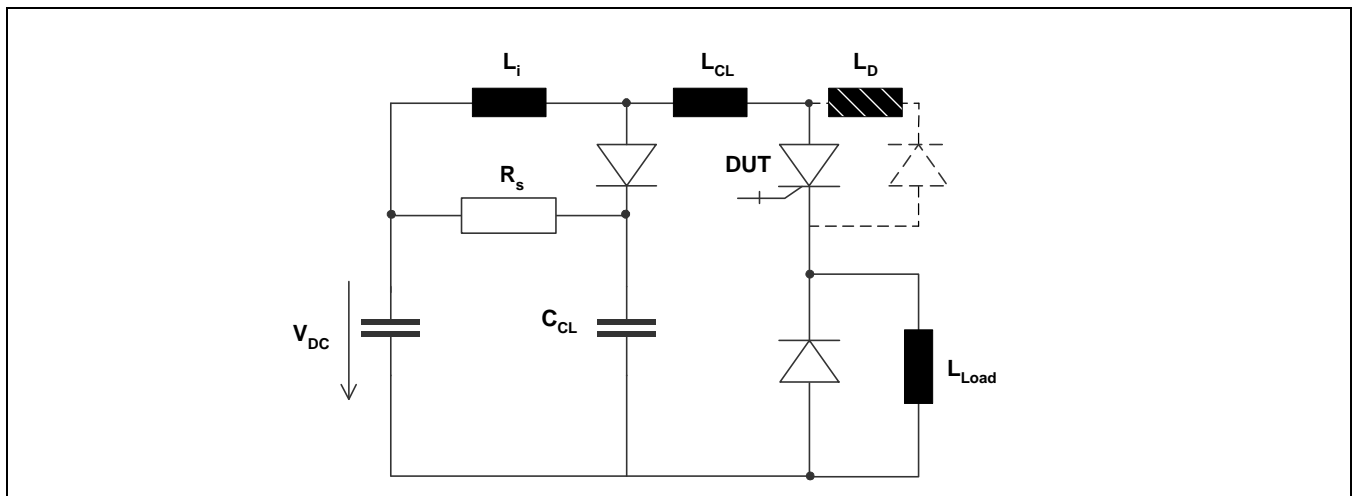


Fig. 15 Test circuit



**Related documents:**

---

5SYA 2031	Applying IGCT Gate Units
5SYA 2032	Applying IGCTs
5SYA 2036	Recommendations regarding mechanical clamping of Press Pack High Power Semiconductors
5SYA 2046	Failure rates of IGCTs due to cosmic rays
5SYA 2048	Field measurements on High Power Press Pack Semiconductors
5SYA 2051	Voltage ratings of high power semiconductors
5SZK 9107	Specification of environmental class for pressure contact IGCTs, OPERATION available on request, please contact factory

Please refer to <http://www.abb.com/semiconductors> for current version of documents.

**ABB Switzerland Ltd, Semiconductors reserves the right to change specifications without notice.**



**ABB Switzerland Ltd**  
**Semiconductors**  
Fabrikstrasse 3  
CH-5600 Lenzburg, Switzerland

Doc. No. 5SYA1233-02 June 07

Telephone +41 (0)58 586 1419  
Fax +41 (0)58 586 1306  
Email [abbsem@ch.abb.com](mailto:abbsem@ch.abb.com)  
Internet [www.abb.com/semiconductors](http://www.abb.com/semiconductors)